

Product data sheet

Characteristics

XUM9APCNM8

Photoelectric sensors XU, XUM, polarised, Sn 5 m, 12...24 VDC, M8

Product availability: Stock - Normally stocked in distribution facility

Price*: 67.20 USD



Commercial status

This Product is Obsolete : FEB 17, 2021

 This Product is Obsolete

Main

Range of Product	Telemecanique Photoelectric sensors XU
Series name	General purpose single mode
Electronic sensor type	Photo-electric sensor
Sensor name	XUM
Sensor design	Miniature
Detection system	Polarised reflex
Material	Plastic
Type of output signal	Discrete
Supply circuit type	DC
Wiring Technique	3-wire
Discrete output type	PNP
Discrete output function	1 NO or 1 NC programmable
Electrical connection	1 male connector M8, 4 pins
Product Specific Application	-
Emission	Red polarised reflex
[Sn] nominal sensing distance	16.40 Ft (5 m) polarised reflex need reflector XUZC50

Complementary

Enclosure Material	PBT
Lens material	PMMA
Output Type	Solid state
Wire insulation material	PVC
Status LED	1 LED green)instability 1 LED orange)output state
[Us] rated supply voltage	12...24 V DC with reverse polarity protection
Supply voltage limits	10...30 V DC
Switching capacity in mA	<= 100 mA (overload and short-circuit protection)
Switching frequency	<= 1000 Hz
Maximum voltage drop	<2 V (closed state)

Current consumption	<= 10 mA no-load
Maximum delay first up	100 Ms
Maximum delay response	1 Ms
Maximum delay recovery	0.5 Ms
Setting-up	Sensitivity adjustment by potentiometer
Maximum Depth	0.79 In (20 mm)
Maximum Height	1.30 In (33 mm)
Length	0.43 In (11 mm)
Maximum Width	0.43 In (11 mm)
Net Weight	0.04 Lb(US) (0.02 kg)

Environment

Product Certifications	CURus CE
Ambient air temperature for operation	-13...131 °F (-25...55 °C)
Ambient Air Temperature for Storage	-22...158 °F (-30...70 °C)
Immunity to ambient light	3000 Lux natural light 3000 Lux incandescent light
Vibration resistance	20 gn +/- 1.5 mm 10...500 Hz) IEC 60068-2-6
Shock resistance	50 gn 11 ms) IEC 60068-2-27
IP degree of protection	IP67 conforming to IEC 60529

Ordering and shipping details

Category	22415 - SENSORS, PHOTOELECTRIC, BASIC
Discount Schedule	DS2
GTIN	03389119034975
Nbr. of units in pkg.	1
Package weight(Lbs)	0.03 Lb(US) (0.01 kg)
Returnability	No
Country of origin	TH

Packing Units

Package 1 Height	0.59 In (1.500 cm)
Package 1 width	2.76 In (7.000 cm)
Package 1 Length	5.12 In (13.000 cm)

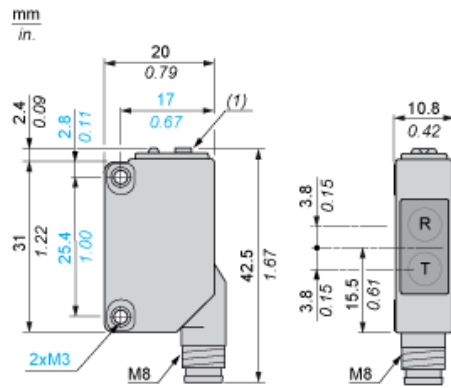
Offer Sustainability

California proposition 65	WARNING: This product can expose you to chemicals including: Diisononyl phthalate (DINP), which is known to the State of California to cause cancer, and Di-isodecyl phthalate (DIDP), which is known to the State of California to cause birth defects or other reproductive harm. For more information go to www.P65Warnings.ca.gov
REACH Regulation	REACH Declaration
EU RoHS Directive	Pro-active compliance (Product out of EU RoHS legal scope) EU RoHS Declaration
Mercury free	Yes
RoHS exemption information	Yes

Contractual warranty

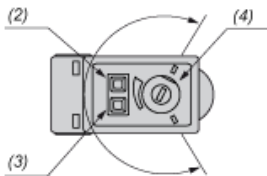
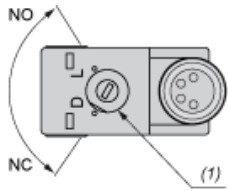
Warranty	18 months
----------	-----------

Dimensions



- R : Reception
- T : Transmission
- (1) Potentiometer

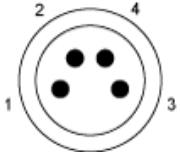
Mounting and Clearance



- (1) Configuration switch
- (2) Output state LED
- (3) Stability and power on LED
- (4) Adjustment potentiometer

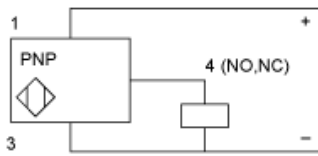
Connections and Schemes

M8 Connector

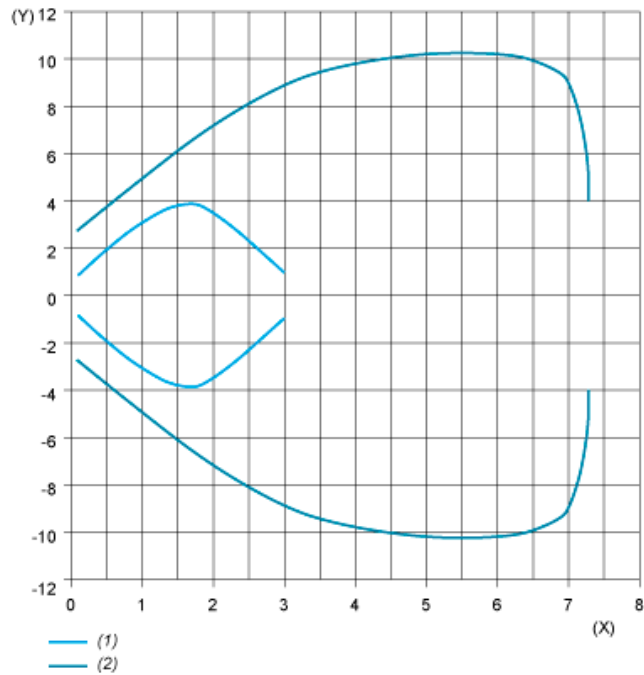


- 1 : (+)
- 3 : (-)
- 4 : OUT/Output

PNP



Detection Curves



- (1) XUZC08
- (2) XUZC50
- (Y) Parallel movement (cm)
- (X) Distance (m)

Product Life Status : **End of commercialisation**

XUM9APCNM8 may be replaced by any of the following products:



XUM0APSAM8
Photoelectric sensors XU, XUM, multi, Sn 0...10 m, 12...24 VDC, M8
Qty 1
Substitution date: |